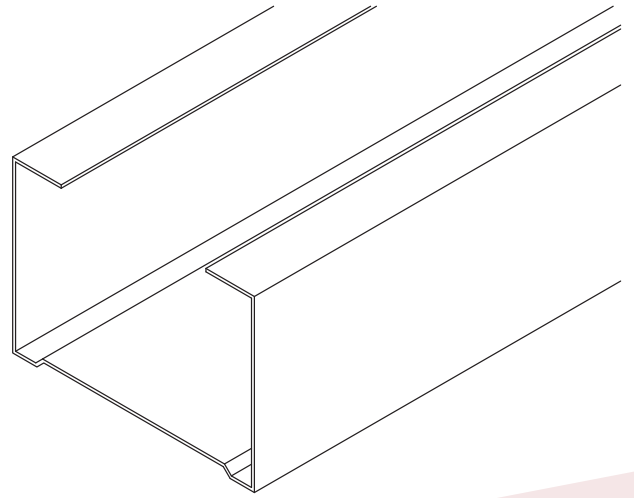
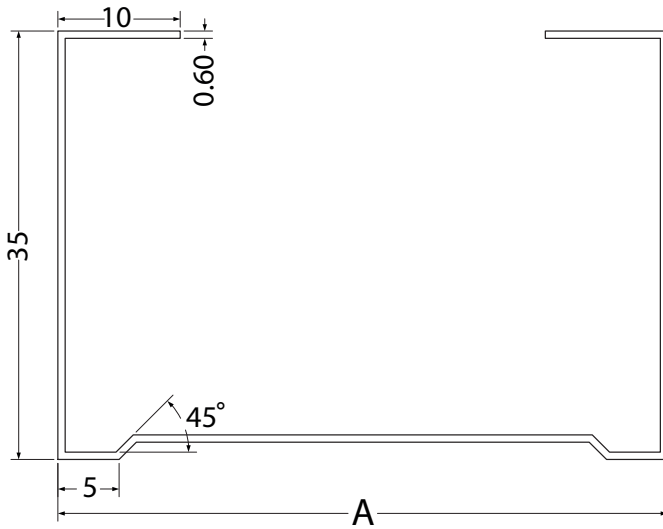


A L D H A B I
F A L S E C E I L I N G S

شركة الظبي
للاسقف المعلقة

STUD: DATA SHEET



All of our metal profiles are manufactured in compliance with ASTM 635C and materials used in production comply with ASTM C955-11A. In addition, our standard sheet metal thickness is 0.6 mm with 120 gm/m² galvanization and 3000 mm in length. In addition, we have the capability to produce different thicknesses from 0.4 up to 1 mm, galvanization up to 275 gm/m², and lengths up to 6000 mm.

| FEATURE | 50S60 | 75S60 | 100S60 |
|-------------------------|----------------------|---------------------|----------------------|
| Available Widths (A) | 50 mm | 75 mm | 100 mm |
| Weight Per Meter Length | 0.65 Kg/m | 0.75 Kg/m | 0.88 Kg/m |
| I _x | 1.5 cm ⁴ | 1.7 cm ⁴ | 1.9 cm ⁴ |
| I _y | 3.44 cm ⁴ | 7.4 cm ⁴ | 17.1 cm ⁴ |
| Tensile Strength | 360-510 MPa | | |
| Yield Strength | 235 MPa | | |

Website: <http://www.aldhabieg.com>

Telephone: +20220824278, +20224043418

Fax: +20220824147, +20222627270

Email: aldhabi@aldhabieg.com

Head Office: 32 Al-Obour Buildings, Salah Salem Street, Cairo, Egypt

Factory: 250 Acres (Fadan), Badr City, Plot Number 213, Cairo, Egypt