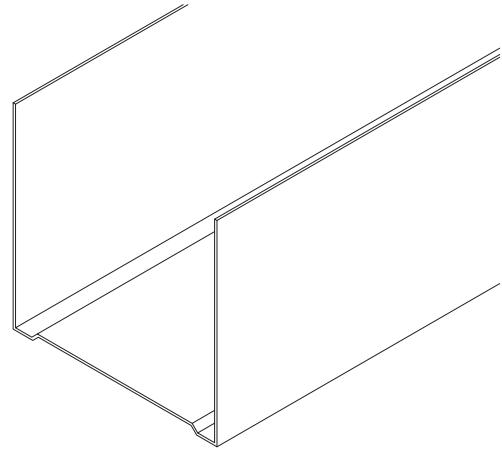
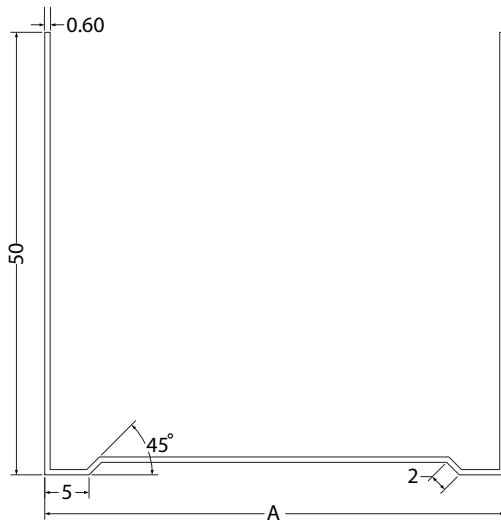


A L D H A B I
F A L S E C E I L I N G S

شركة الظبي
للاسقف المعلقة

RUNNER: DATA SHEET



All of our metal profiles are manufactured in compliance with ASTM 635C and materials used in production comply with ASTM C955-11A. In addition, our standard sheet metal thickness is 0.6 mm with 120 gm/m² galvanization and 3000 mm in length. In addition, we have the capability to produce different thicknesses from 0.4 up to 1 mm, galvanization up to 275 gm/m², and lengths up to 6000 mm.

FEATURE	52DC50	77DC50	102DC50
Available Widths (A)	50 mm	77 mm	102 mm
Weight Per Meter Length	0.59 Kg/m	0.69 Kg/m	0.78 Kg/m
I _x	2.07 cm ⁴	2.36 cm ⁴	2.58 cm ⁴
I _y	3.86 cm ⁴	9.14 cm ⁴	17.17 cm ⁴
Tensile Strength	360-510 MPa		
Yield Strength	235 MPa		

Website: <http://www.aldhabieg.com>

Telephone: +20220824278, +20224043418

Fax: +20220824147, +20222627270

Email: aldhabi@aldhabieg.com

Head Office: 32 Al-Obour Buildings, Salah Salem Street, Cairo, Egypt

Factory: 250 Acres (Fadan), Badr City, Plot Number 213, Cairo, Egypt