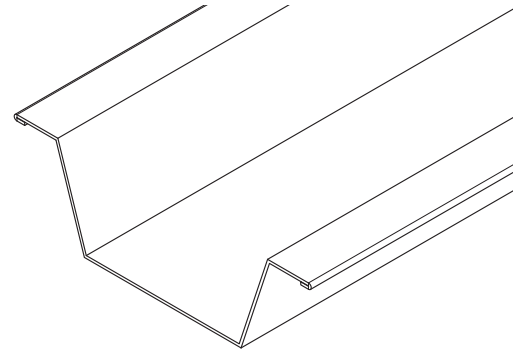
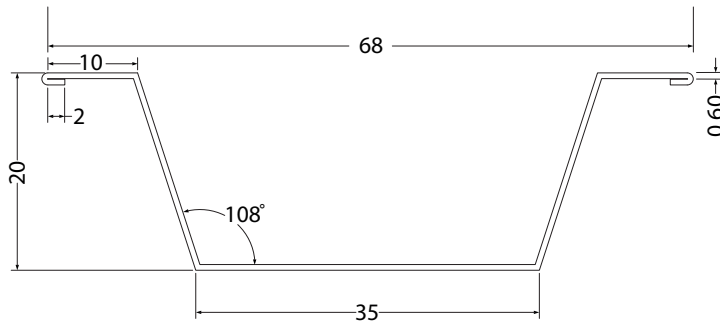


AL DHABI
FALSE CEILINGS

شركة الظبي
للاسقف المعلقة

OMEGA: DATA SHEET



All of our metal profiles are manufactured in compliance with ASTM 635C and materials used in production comply with ASTM C955-11A. In addition, our standard sheet metal thickness is 0.6 mm with 120 gm/m² galvanization and 3000 mm in length. In addition, we have the capability to produce different thicknesses from 0.4 up to 1 mm, galvanization up to 275 gm/m², and lengths up to 6000 mm.

| FEATURE | FC 20 / 60 |
|-------------------------|----------------------|
| Weight Per Meter Length | 0.47 Kg/m |
| I _x | 0.36 cm ⁴ |
| I _y | 1.46 cm ⁴ |
| Tensile Strength | 360-510 MPa |
| Yield Strength | 235 MPa |

Website: <http://www.aldhabieg.com>

Telephone: +20220824278, +20224043418

Fax: +20220824147, +20222627270

Email: aldhabi@aldhabieg.com

Head Office: 32 Al-Obour Buildings, Salah Salem Street, Cairo, Egypt

Factory: 250 Acres (Fadan), Badr City, Plot Number 213, Cairo, Egypt